

ISOLATED DC-DC CONVERTER CFDFG600-300 SERIES



Beijing Huayang Changfeng Technology Co., Ltd
Huayang Changfeng Hebei Technology Co., Ltd

Address of China factory: No. 25, Torch South Street, development zone,
Zhuozhou City, Baoding City, Hebei Province, China

WWW.CHEWINS.NET



Contents

1. Introduction	3
2. DC-DC Converter Features.....	3
3. Function Block and Sequence Time Chart.....	3
3.1 Electrical Block Diagram	3
3.2 Sequence Time Chart	4
4. Technical Specifications.....	5
5. Main Features and Functions.....	9
5.1 Operating Temperature Range	9
5.2 Output Voltage Adjustment	9
5.3 Over Current Protection	9
5.4 Output Over Voltage Protection	9
5.5 Remote On/Off	9
5.6 UVLO (Under Voltage Lock Out).....	9
5.7 Over Temperature Protection.....	9
6. Applications.....	10
6.1 Recommend Layout,PCB Footprint and Soldering Information	10
6.2 Connection for Standard Use.....	10
6.3 Input Capacitance at the Power Module	11
6.4 Convection Requirements for Cooling	11
6.5 Thermal Considerations	11
6.6 Power Derating.....	12
6.7 Full Brick Heat Sinks:	14
6.8 Efficiency VS. Load	15
6.9 Test Set-Up	16
6.10 Output Voltage Adjustment	16
6.11 Output Remote Sensing	17
6.12 Output Ripple and Noise	18
6.13 Output Capacitance	18
6.14 Remote On/Off Circuit.....	18
6.15 Series Operation	19
6.16 Parallel/Redundant Operation.....	20
6.17 IOG Signal.....	20
6.18 Auxiliary Power for Output Signal	21
7. Safety & EMC	22
7.1 Input Fusing and Safety Considerations	22
7.2 AC Input EMC Considerations	22
7.3 DC Input EMC Considerations	26
8. Part Number.....	29
9. Mechanical Specifications.....	29
9.1 Mechanical Outline Diagrams	29

Model:

MODEL NUMBER	INPUT VOLTAGE	OUTPUT VOLTAGE	OUTPUT CURRENT		INPUT CURRENT		% Eff.	CAPACITIVE LOAD MAX.
			MIN.	MAX.	NO LOAD	FULL LOAD		
CFDFG600-300S12	180-425Vdc	12Vdc	0mA	50A	10mA	2.24A	89.5	10000uF
CFDFG600-300S24		24Vdc		25A		2.21A	90.5	10000uF
CFDFG600-300S48		48Vdc		12.5A		2.2A	91	8000uF

NOTE:

1. Nominal Input Voltage 300Vdc.
2. The output terminal required a minimum capacitor 470uF to maintain specified regulation.
3. Measure at Nominal Input Voltage.

1. Introduction

The CFDFG600-300 Series is an industry standard full-brick DC-DC converter, providing up to 600W of output power @ single output voltages of 12,24,48Vdc. It has a high input voltage range of 180 to 425VDC (300Vdc nominal) and reinforced with a 3000VAC isolation.

High efficiency up to 91%, allowing case operating temperature range of -40°C to 100°C. An optional heat sink is available to extend the full power range of the unit. Very low no load power consumption (10mA), an ideal solution for energy critical system applications.

The standard control functions include remote on/off (positive or negative) and 60-110% adjustable output voltage.

Fully protected against input UVLO (under voltage lock out), output over-current, output over-voltage and over-temperature and continuous short circuit conditions.

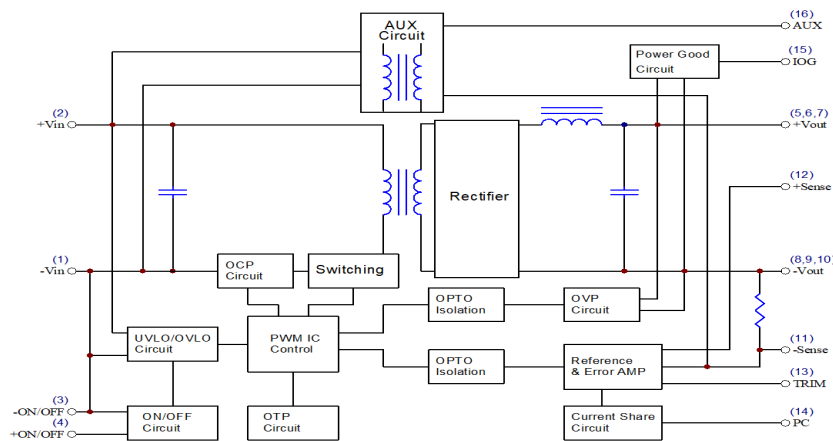
All models are highly suitable for distributed power architectures, telecommunications, servers, base station, battery operated equipment, and industrial applications.

2. DC-DC Converter Features

- 600W Isolated Output
- Efficiency to 91%
- Fixed Switching Frequency
- Low No Load Power Consumption
- Remote On/Off
- Input Under-Voltage Protection
- Over Temperature Protection
- Over Voltage/Current Protection
- Full Brick Size meet Industrial Standard
- Single Wire Parallel
- UL 60950-1 Approval
- Fully Isolated 3000VAC
- Safety Meets IEC/EN/UL 62368-1

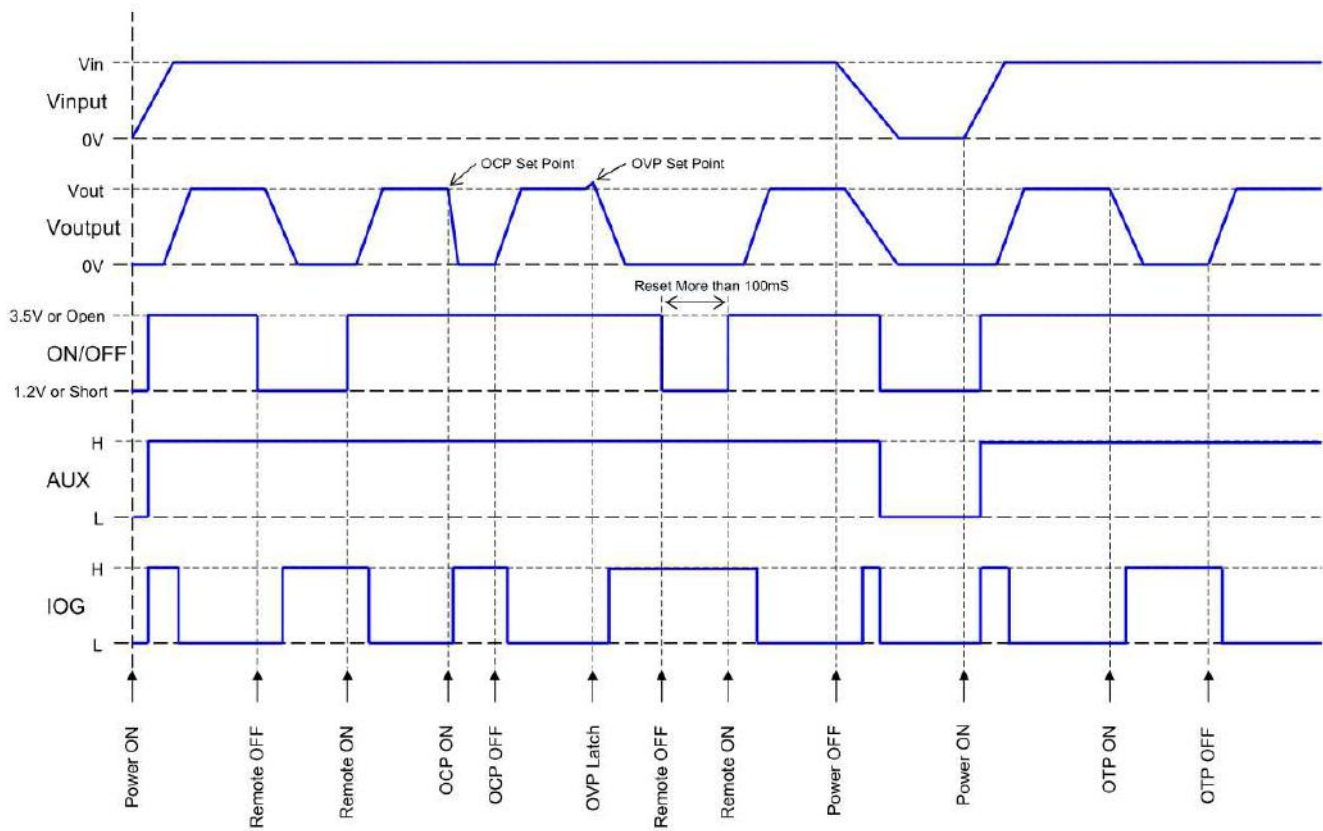
3. Function Block and Sequence Time Chart

3.1 Electrical Block Diagram



Electrical Block Diagram

3.2 Sequence Time Chart



Note:

1. On/Off Control, Positive Remote On/Off logic, Refer to -Vin pin
 Module on >3.5Vdc to 75Vdc or Open Circuit
 Module off 0 to <1.2Vdc
2. H Level: 7-13VDC

4. Technical Specifications

(All specifications are typical at nominal input, full load at 25°C unless otherwise noted.)

ABSOLUTE MAXIMUM RATINGS

PARAMETER	NOTES and CONDITIONS	Device	Min.	Typical	Max.	Units
Input Voltage						
Continuous		All	-0.3		425	V _{DC}
Transient	100ms	All			475	V _{DC}
Operating Case Temperature		All	-40		100	°C
Storage Temperature		All	-55		105	°C
Isolation Voltage	1 minute; input/output,	All			3000	V _{AC}
	1 minute; input/case,	All			2500	V _{AC}
	1 minute; output/case	All			500	V _{AC}

INPUT CHARACTERISTICS

PARAMETER	NOTES and CONDITIONS	Device	Min.	Typical	Max.	Units
Operating Input Voltage		All	180	300	425	V _{DC}
Input Under Voltage Lockout						
Turn-On Voltage Threshold		All	160	170	180	V _{DC}
Turn-Off Voltage Threshold		All	150	160	170	V _{DC}
Lockout Hysteresis Voltage		All		10		V _{DC}
Input Over Voltage Protection						
Module-On Voltage		All		480		V _{DC}
Module -Off Voltage		All		500		V _{DC}
Maximum Input Current	100% Load, V _{in} =180V for All	All		3.8		A
No Load Input Current		300S12		10		mA
		300S24		10		
		300S48		10		
Input Filter	Capacitance filter.	All				
Inrush Current (I ² t)	As per ETS300 132-2.	All			1.0	A ² s
Input Reflected Ripple Current	P-P thru 12uH inductor, 5Hz to 20MHz, See 6.3	All		60		mA

OUTPUT CHARACTERISTICS

PARAMETER	NOTES and CONDITIONS	Device	Min.	Typical	Max.	Units
Output Voltage Set Point	V _{in} =Nominal V _{in} , I _o = I _{o_max} , T _c =25°C	V _o =12V	11.88	12	12.12	V _{DC}
		V _o =24V	23.76	24	24.24	
		V _o =48V	47.52	48	48.48	
Output Voltage Regulation						
Load Regulation	I _o =I _{o_min} to I _{o_max}	All			±0.5	%
Line Regulation	V _{in} =low line to high line	All			±0.2	%
Temperature Coefficient	T _c =-40°C to 100°C	All			±0.03	%/°C

PARAMETER	NOTES and CONDITIONS	Device	Min.	Typical	Max.	Units
Output Voltage Ripple and Noise (5Hz to 20MHz Bandwidth)						
Peak-to-Peak	Full load, 470uF aluminum and 1.0uF ceramic capacitors. See 6.12	Vo=12V			150	mV
		Vo=24V			400	
		Vo=48V			480	
RMS.		Vo=12V			75	mV
		Vo=24V			120	
		Vo=48V			200	
Operating Output Current Range		Vo=12V	0		50	A
		Vo=24V	0		25	
		Vo=48V	0		12.5	
Output DC Current Limit Inception	Continuous Current. Auto Recovery. See 5.3	All	105	115	125	%
Maximum Output Capacitance	Full load (resistive)	300S12	0		10000	uF
		300S24	0		10000	
		300S48	0		8000	
Output Voltage Trim Range	P _{out} =max rated power, See 6.10	All	-40		+10	%
Output Over Voltage Protection	Limited Voltage, See 5.4	All	115	125	140	%

DYNAMIC CHARACTERISTICS

PARAMETER	NOTES and CONDITIONS	Device	Min.	Typical	Max.	Units
Output Voltage Current Transient						
Error Band	75% to 100% of I _{o_max} step load change di/dt=0.1A/us (within 1% V _{out} nominal)	All			±5	%
Recovery Time		All			500	us
Turn-On Delay and Rise Time Full load (Constant Resistive Load)						
Turn-On Delay Time, From On/Off Control	V _{on/off} to 10%V _{o_set}	All		100		ms
Turn-On Delay Time, From Input	V _{in_min} to 10%V _{o_set}	All		700		ms
Output Voltage Rise Time	10%V _{o_set} to 90%V _{o_set}	All		40		ms

EFFICIENCY

PARAMETER	NOTES and CONDITIONS	Device	Min.	Typical	Max.	Units
100% Load	V _{in} =300V, See 6.8	300S12		89.5		%
		300S24		90.5		
		300S48		91		

ISOLATION CHARACTERISTICS

PARAMETER	NOTES and CONDITIONS	Device	Min.	Typical	Max.	Units
Isolation Voltage	1 minute; input/output	All			3000	V _{AC}
	1 minute; input/case,	All			2500	V _{AC}
	1 minute; output/case	All			500	V _{AC}
Isolation Resistance	Input/Output	All	10			MΩ

PARAMETER	NOTES and CONDITIONS	Device	Min.	Typical	Max.	Units
Isolation Capacitance	Input/Output	All		NC		uF
	Input/Case	All		NC		
	Output/Case	All		0.01		

FEATURE CHARACTERISTICS

PARAMETER	NOTES and CONDITIONS	Device	Min.	Typical	Max.	Units
Switching Frequency	Pulse wide modulation (PWM), Fixed	All	170	200	230	KHz
On/Off Control, Positive Remote On/Off logic, Refer to -Vin pin.						
Logic Low (Module Off)	$V_{on/off}$ at $I_{on/off}=1.0mA$	All	0		1.2	V
Logic High (Module On)	$V_{on/off}$ at $I_{on/off}=0.0uA$	All	3.5 or Open Circuit		75	V
On/Off Control, Negative Remote On/Off logic, Refer to -Vin pin						
Logic High (Module Off)	$V_{on/off}$ at $I_{on/off}=0.0uA$	All	3.5 or Open Circuit		75	V
Logic Low (Module On)	$V_{on/off}$ at $I_{on/off}=1.0mA$	All	0		1.2	V
On/Off Current (for both remote on/off logic)	$I_{on/off}$ at $V_{on/off}=0.0V$	All		0.3	1	mA
Leakage Current (for both remote on/off logic)	Logic High, $V_{on/off}=15V$	All			30	uA
Off Converter Input Current	Shutdown input idle current	All		5	10	mA
Auxiliary Output Voltage		All	7	10	13	V
Auxiliary Output Current		All			20	mA
Over Temperature Shutdown	Aluminum baseplate temperature	All		105		°C
Over Temperature Recovery		All		90		°C

GENERAL SPECIFICATIONS

PARAMETER	NOTES and CONDITIONS	Device	Min.	Typical	Max.	Units
MTBF	$I_o=100\%$ of I_{o_max} ; MIL - HDBK - 217F_Notice 1, GB, 25°C	All		420		K hours
Weight		All		230		grams
Case Material	Plastic, DAP					
Baseplate Material	Aluminum					
Potting Material	UL 94V-0					
Pin Material	Base: Copper Plating: Nickel with Matte Tin					
Shock/Vibration	EN50155, EN61373					
Humidity	95% RH max. Non Condensing					
Altitude	2000m Operating Altitude			12000m Transport Altitude		
Thermal Shock	MIL-STD-810F					
EMI	Meets EN55032	with external input filter, see 7.2			Class A	
ESD	Meets IEC/EN61000-4-2	Air $\pm 8kV$, Contact $\pm 4kV$			Perf. Criteria A	
Radiated immunity	Meets IEC/EN61000-4-3	3 V/m			Perf. Criteria A	

GENERAL SPECIFICATIONS

Fast Transient	Meets IEC/EN61000-4-4 capacitor required, see 7.1	$\pm 1\text{kV}$, external input	Perf. Criteria A
Surge	Meets IEC/EN61000-4-5 EN55024: Line to Earth $\pm 2\text{ kV}$, Line to Line $\pm 2\text{kV}$, external circuit required, see 7.1		Perf. Criteria A
Conducted immunity	Meets IEC/EN61000-4-6	3Vrms	Perf. Criteria A
Power Frequency Magnetic Field immunity	Meets IEC/EN61000-4-8	50/60Hz, 3A/m (r.m.s.)	Perf. Criteria A

5. Main Features and Functions

5.1 Operating Temperature Range

The CFDFG600-300 series converters can be operated within a wide case temperature range of -40°C to 100°C . Consideration must be given to the derating curves when ascertaining maximum power that can be drawn from the converter. The maximum power drawn from open full brick models is influenced by usual factors, such as:

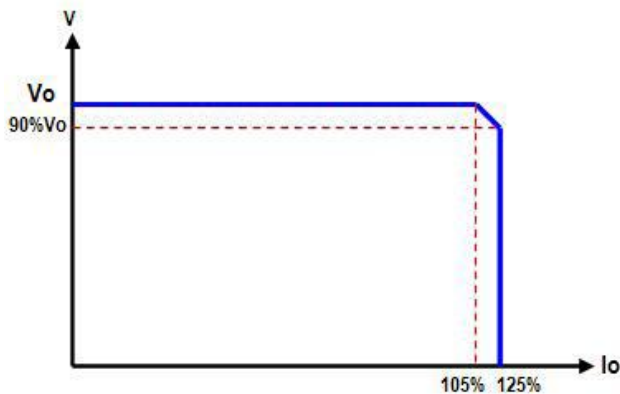
- Input voltage range
- Output load current
- Forced air or natural convection
- Heat sink optional

5.2 Output Voltage Adjustment

Section 6.10 describes in detail how to trim the output voltage with respect to its set point. The output voltage on all models is adjustable within the range of $+10\%$ to -40% .

5.3 Over Current Protection

All models have internal over current and continuous short circuit protection. The unit operates normally once the fault condition is removed. At the point of current limit inception, the converter will go into Constant Current mode protection.



5.4 Output Over Voltage Protection

The output over voltage protection consists of circuitry that internally limits the output voltage. If more accurate output over voltage protection is required then an external circuit can be used via the remote on/off pin.

Note: Please note that device inside the power supply might fail when voltage more than rate output voltage is applied to output pin. This could happen when the customer tests the over voltage protection of unit.

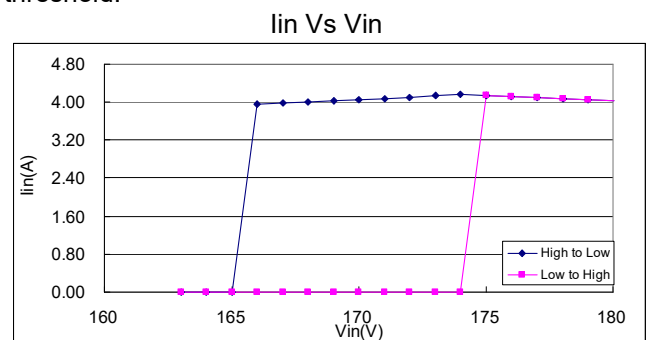
5.5 Remote On/Off

The CFDFG600-300 series allows the user to switch the module on and off electronically with the remote on/off feature. All models are available in “positive logic” and “negative logic”(optional) versions. The converter turns on if the remote on/off pin is high ($>3.5\text{Vdc}$ to 75Vdc or open circuit). Setting the pin low (0 to $<1.2\text{Vdc}$) will turn the converter off. The signal level of the remote on/off input is defined with respect to ground. If not using the remote on/off pin, leave the pin open (converter will be on). Models with part number suffix “N” are the “negative logic” remote on/off version. The unit turns off if the remote on/off pin is high ($>3.5\text{Vdc}$ to 75Vdc or open circuit). The converter turns on if the on/off pin input is low (0 to $<1.2\text{Vdc}$). Note that the converter is off by default. See 6.14

Logic State (Pin 2)	Negative Logic	Positive Logic
Logic Low – Switch Closed	Module on	Module off
Logic High – Switch Open	Module off	Module on

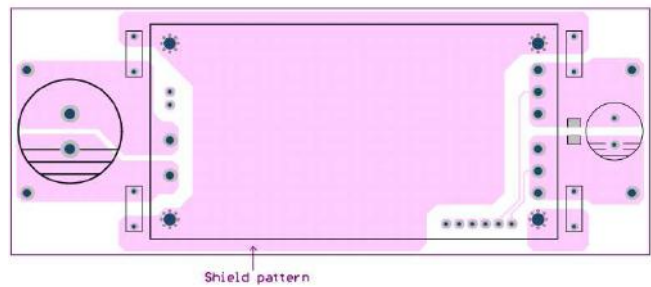
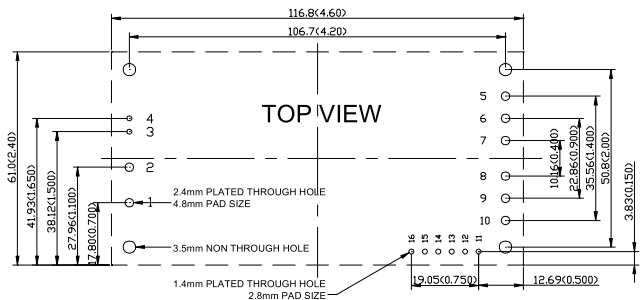
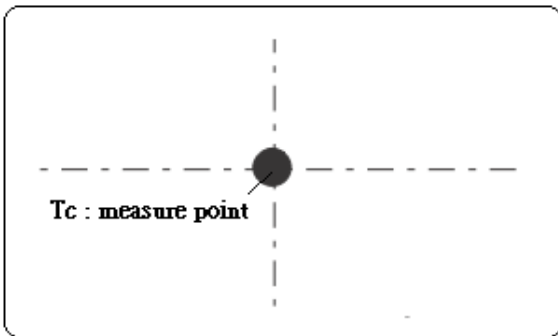
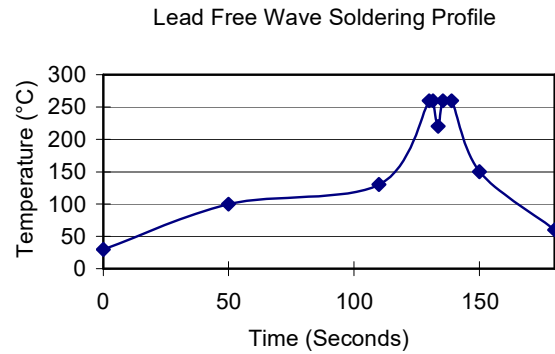
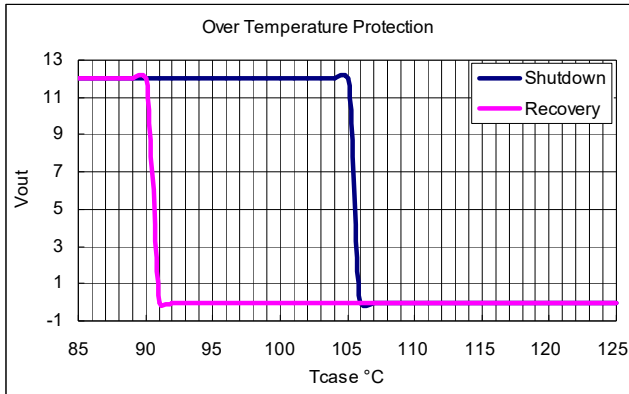
5.6 UVLO (Under Voltage Lock Out)

Input under voltage lockout is standard on the CFDFG600-300 unit. The unit will shut down when the input voltage drops below a threshold, and the unit will operate when the input voltage goes above the upper threshold.



5.7 Over Temperature Protection

These modules have an over temperature protection circuit to safeguard against thermal damage. Shutdown occurs with the maximum case reference temperature is exceeded. The module will restart when the case temperature falls below over temperature recovery threshold. Please measure case temperature of the center part of aluminum baseplate.



6. Applications

6.1 Recommend Layout, PCB Footprint and Soldering Information

The system designer or end user must ensure that metal and other components in the vicinity of the converter meet the spacing requirements for which the system is approved. Low resistance and inductance PCB layout traces are the norm and should be used where possible. Due consideration must also be given to proper low impedance tracks between power module, input and output grounds.

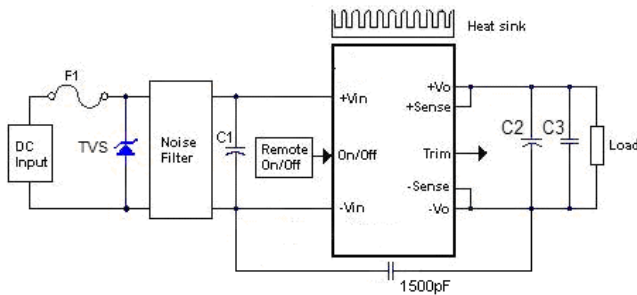
Clean the soldered side of the module with a brush, prevent liquid from getting into the module. Do not clean by soaking the module into liquid. Do not allow solvent to come in contact with product labels or resin case as this may change the color of the resin case or cause deletion of the letters printed on the product label. After cleaning, dry the modules well.

The suggested soldering iron is 450°C for up to 5 seconds (less than 50W). Furthermore, the recommended soldering profile and PCB layout are shown below.

6.2 Connection for Standard Use

The connection for standard use is shown below. An external input capacitor (C1) 330uF for all models is recommended to reduce input ripple voltage. External output capacitors (C2, C3) are recommended to reduce output ripple and noise, 470uF aluminum and 1uF ceramic capacitor.

The CFDFG600-300 series converters have no internal fuse. In order to achieve maximum safety and system protection, always use an input line fuse. We recommended a 6.3A time delay fuse for all models. It is recommended that the circuit have a transient voltage suppressor diode (TVS) across the input terminal to protect the unit against surge or spike voltage and input reverse voltage (as shown).



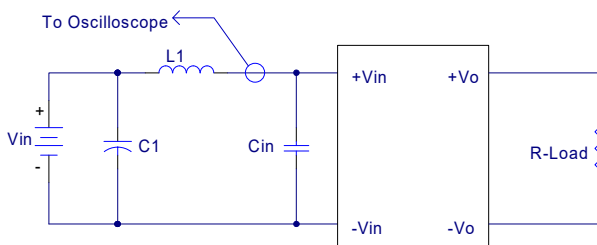
Symbol	Component	Reference
F1	Input fuse	Section 7.1
C1	External capacitor on input side	Note
C2, C3	External capacitor on the output side	Section 6.12/6.13
Noise Filter	External input noise filter	Section 7.2
Remote On/Off	External Remote On/Off control	Section 6.16
Trim	External output voltage adjustment	Section 6.10
Heat sink	External heat sink	Section 6.4/6.5/6.6/6.7
+Sense/-Sense	--	Section 6.11

Note:

If the impedance of input line is high, C1 capacitance must be more than above. Use more than two recommended capacitor above in parallel when ambient temperature becomes lower than -20°C

6.3 Input Capacitance at the Power Module

The converters must be connected to low AC source impedance. To avoid problems with loop stability source impedance should be low. Also, the input capacitors (C_{in}) should be placed close to the converter input pins to decouple distribution inductance. However, the external input capacitors are chosen for suitable ripple handling capability. Low ESR capacitors are good choice. Circuit as shown as below represents typical measurement methods for reflected ripple current. C1 and L1 simulate a typical DC source impedance. The input reflected-ripple current is measured by current probe to oscilloscope with a simulated source Inductance (L1).



L1:12uH

C1:330uF ESR<0.7ohm @100KHz

Cin:330uF ESR<0.7ohm @100KHz

6.4 Convection Requirements for Cooling

To predict the approximate cooling needed for the quarter brick module, refer to the power derating curves in section 6.6. These derating curves are approximations of the ambient temperatures and airflows required to keep the power module temperature below its maximum rating. Once the module is assembled in the actual system, the module's temperature should be monitored to ensure it does not exceed 100°C as measured at the center of the top of the case (thus verifying proper cooling).

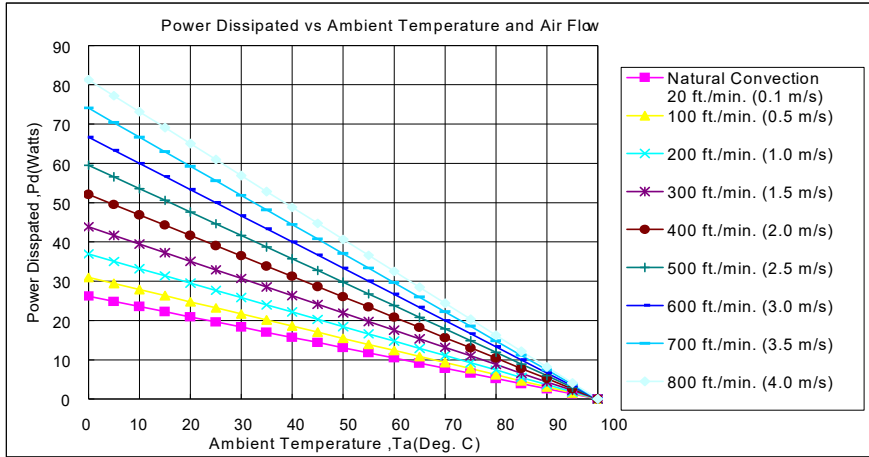
6.5 Thermal Considerations

The power module operates in a variety of thermal environments; however, sufficient cooling should be provided to help ensure reliable operation of the unit. Heat is removed by conduction, convection, and radiation to the surrounding environment. The example is presented in section 6.6. The power output of the module should not be allowed to exceed rated power ($V_{o_set} \times I_{o_max}$).

6.6 Power Derating

The operating case temperature range of CFDFG600 series is -40°C to +100°C. When operating the CFDFG600-300S series, proper derating or cooling is needed. The maximum case temperature under any operating condition should not exceed 100°C.

The following curve is the de-rating curve of CFDFG600-300S series without heat sink.



AIR FLOW RATE	TYPICAL R _{ca}
Natural Convection	
20ft./min. (0.1m/s)	3.82°C/W
100 ft./min. (0.5m/s)	3.23°C/W
200 ft./min. (1.0m/s)	2.71°C/W
300 ft./min. (1.5m/s)	2.28°C/W
400 ft./min. (2.0m/s)	1.92°C/W
500 ft./min. (2.5m/s)	1.68°C/W
600 ft./min. (3.0m/s)	1.5°C/W
700 ft./min. (3.5m/s)	1.35°C/W
800 ft./min. (4.0m/s)	1.23°C/W

Example:

What is the minimum airflow necessary for a CFDFG600-300S12 operating at nominal line voltage, an output current of 25A, and a maximum ambient temperature of 40°C

Solution:

Given:

$$V_{in}=300V_{dc}, V_o=12V_{dc}, I_o=25A$$

Determine Power dissipation (P_d):

$$P_d = P_i - P_o = P_o(1-\eta)/\eta$$

$$P_d = 12V \times 25A \times (1-0.89)/0.89 = 37.1 \text{ Watts}$$

Determine airflow:

$$\text{Given: } P_d = 37.1W \text{ and } T_a = 40^\circ C$$

Check Power Derating curve:

$$\text{Minimum airflow} = 600 \text{ ft./min.}$$

Verify:

Maximum temperature rise is

$$\Delta T = P_d \times R_{ca} = 37.1W \times 1.50 = 55.65^\circ C.$$

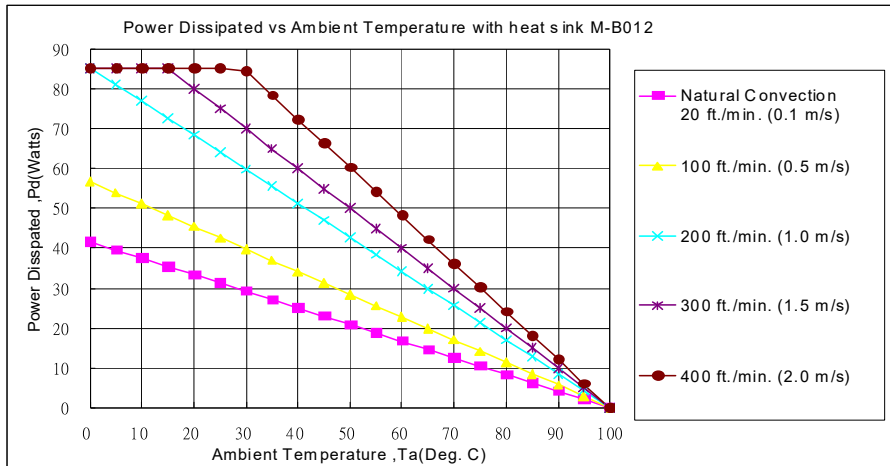
Maximum case temperature is

$$T_c = T_a + \Delta T = 95.65^\circ C < 100^\circ C.$$

Where:

The R_{ca} is thermal resistance from case to ambient environment.

T_a is ambient temperature and T_c is case temperature.



AIR FLOW RATE	TYPICAL R_{ca}
Natural Convection 20ft./min. (0.1m/s)	2.4°C/W
100 ft./min. (0.5m/s)	1.76°C/W
200 ft./min. (1.0m/s)	1.17°C/W
300 ft./min. (1.5m/s)	1.00°C/W
400 ft./min. (2.0m/s)	0.83°C/W

Example (with heat sink M-B012):

What is the minimum airflow necessary for a CFDFG600-300S24 operating at nominal line voltage, an output current of 25A, and a maximum ambient temperature of 40°C

Solution:

Given:

$$V_{in}=300V_{dc}, V_o=24V_{dc}, I_o=25A$$

Determine Power dissipation (P_d):

$$P_d=P_i-P_o=P_o(1-\eta)/\eta$$

$$P_d=24 \times 25 \times (1-0.90)/0.90=66.7Watts$$

Determine airflow:

$$\text{Given: } P_d=66.7W \text{ and } T_a=40^\circ C$$

Check above Power de-rating curve:

$$\text{Minimum airflow} = 400 \text{ ft./min}$$

Verify:

$$\text{Maximum temperature rise is } \Delta T = P_d \times R_{ca}=66.7 \times 0.83=55.4^\circ C$$

$$\text{Maximum case temperature is } T_c=T_a+\Delta T=95.4^\circ C < 100^\circ C$$

Where:

The R_{ca} is thermal resistance from case to ambient environment.

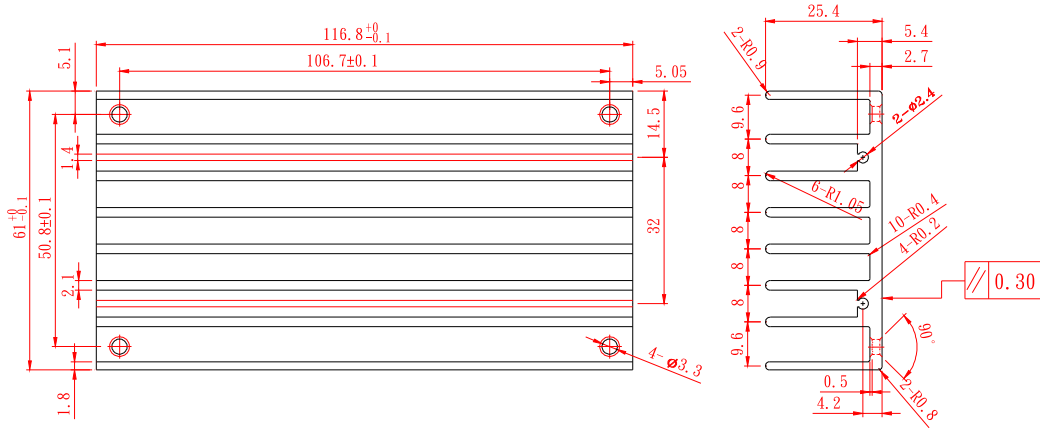
T_a is ambient temperature and T_c is case temperature.

6.7 Full Brick Heat Sinks:

Heat-sink M-B012

All Dimension In mm

Longitudinal Fins



Heat Sink (Clear Mounting Inserts $\Phi 3.3$ mm Through): 116.8*61*25.4(M-B012) (G6620090204)

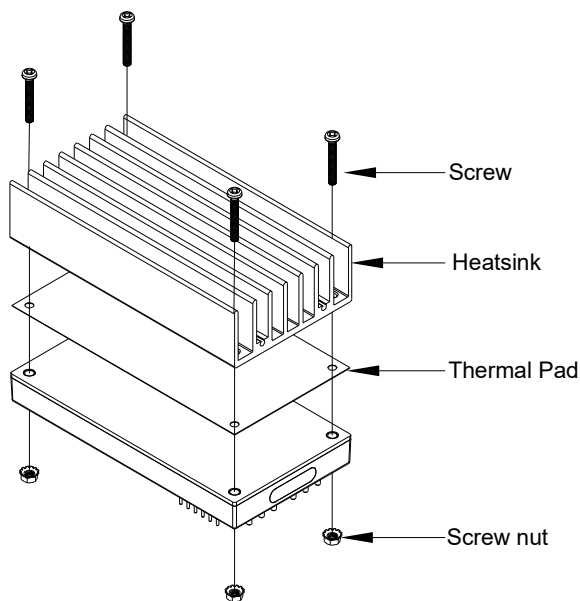
Thermal PAD: PMP-P400 60*115.8*0.23 (G6135041073)

Screw: M3*20L (G75A1300052)

Nut: NH+WOM3*P0.5N(G75A2440392)

AIR FLOW RATE	TYPICAL R_{ca}
Natural Convection	2.4 °C/W
20ft./min. (0.1m/s)	2.4 °C/W
100 ft./min. (0.5m/s)	1.76 °C/W
200 ft./min. (1.0m/s)	1.17 °C/W
300 ft./min. (1.5m/s)	1.00 °C/W
400 ft./min. (2.0m/s)	0.83 °C/W

Full Brick Heat Sink Assembly



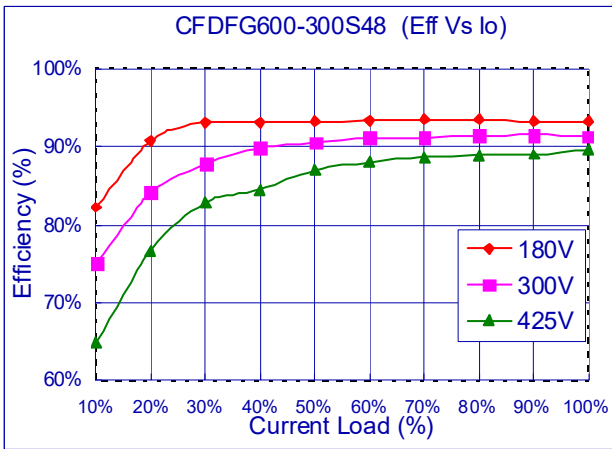
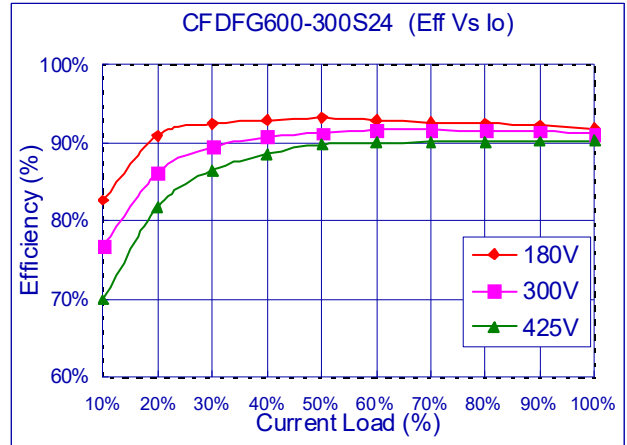
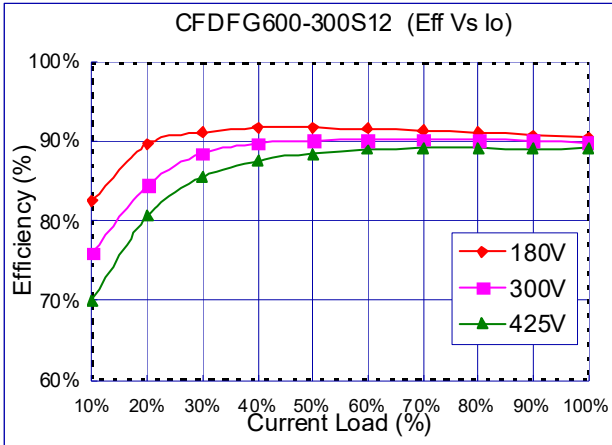
Heat Sink: M-B012

Thermal PAD: PMP-P400 60*115.8*0.25 (G6135041073)

Screw: M3*20L (G75A1300052)

Nut: NH+WOM3*P0.5N(G75A2440392)

6.8 Efficiency VS. Load



6.9 Test Set-Up

The basic test set-up to measure parameters such as efficiency and load regulation is shown below. When testing the modules under any transient conditions please ensure that the transient response of the source is sufficient to power the equipment under test. We can calculate:

- Efficiency
- Load regulation and line regulation.

The value of efficiency is defined as:

$$\eta = \frac{V_o \times I_o}{V_{in} \times I_{in}} \times 100\%$$

Where:

- V_o is output voltage,
- I_o is output current,
- V_{in} is input voltage,
- I_{in} is input current.

The value of load regulation is defined as:

$$\text{Load.reg} = \frac{V_{FL} - V_{NL}}{V_{NL}} \times 100\%$$

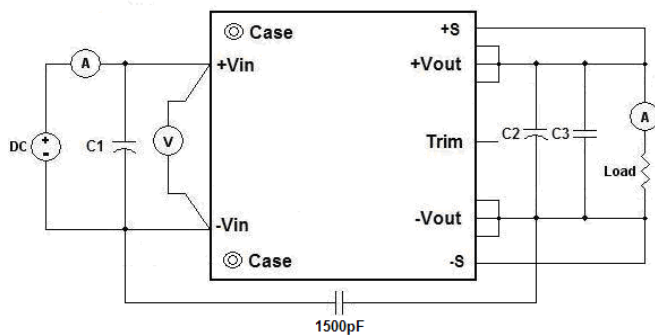
Where:

- V_{FL} is the output voltage at full load
- V_{NL} is the output voltage at no load

The value of line regulation is defined as:

$$\text{Line.reg} = \frac{V_{HL} - V_{LL}}{V_{LL}} \times 100\%$$

Where: V_{HL} is the output voltage of maximum input voltage at full load. V_{LL} is the output voltage of minimum input voltage at full load.



CFDFG600-300S Series Test Setup

C1:330uF/450V ESR<0.7Ω

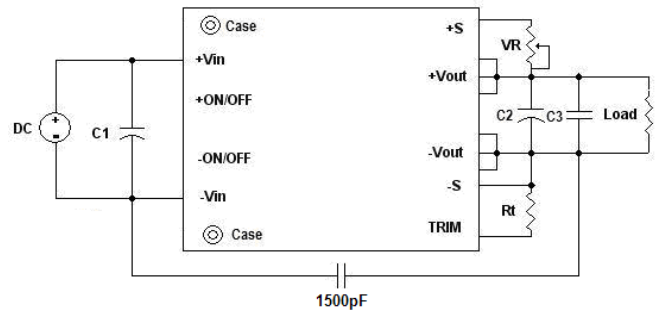
C2:470uF aluminum capacitor.

C3:1uF/1210 ceramic capacitor

6.10 Output Voltage Adjustment

The Trim input permits the user to adjust the output voltage up or down according to the trim range specification (60% to 110% of nominal output).This is

accomplished by connecting an external resistor between the +Vout and +Sense pin for trim up and between the TRIM and -Sense pin for trim down, This is shown:



The Trim pin should be left open if trimming is not being used. The output voltage can be determined by the following equations:

$$V_f = \frac{1.24 \times \left(\frac{R_t \times 33}{R_t + 33} \right)}{7.68 + \frac{R_t \times 33}{R_t + 33}}$$

$$V_{out} = (V_o + V_R) \times V_f$$

R_t, V_R Unit: KΩ

V_o : Nominal Output Voltage

Recommend $R_t = 6.8K\Omega$

For example, to trim-up the output voltage of 24V module (CFDFG600-300S24) by 5% to 25.2V, to trim-down by 20% to 19.2V,

The value R_{trim_up} is calculated as follows:
 $R_t = 6.8K\Omega, V_f = 0.525V,$

$$V_f = \frac{1.24 \times \left(\frac{6.8 \times 33}{6.8 + 33} \right)}{7.68 + \frac{6.8 \times 33}{6.8 + 33}} = 0.525$$

$$25.2 = (24 + V_R) \times 0.525, V_R = 24K\Omega$$

The value of R_{trim_down} defined as:

$$19.2 = (24 + V_R) \times 0.525, V_R = 12.57K\Omega$$

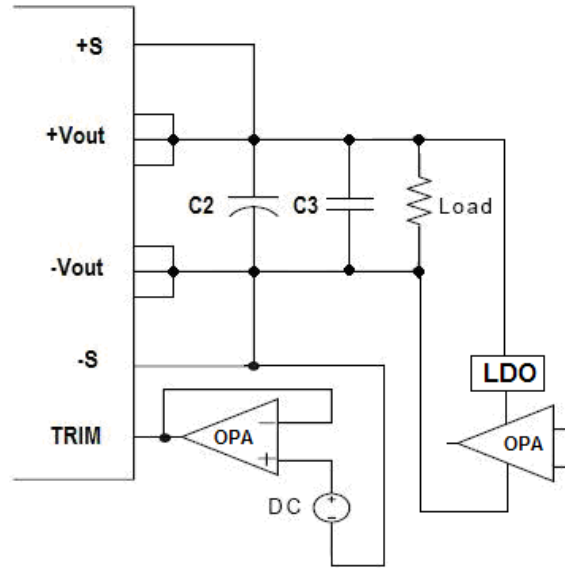
The typical value of R_{trim_up}

Trim up %	12V	24V	48V
	R_{trim_up} (K Ω)		
1%	11.09	22.17	44.34
2%	11.31	22.63	45.26
3%	11.54	23.09	46.17
4%	11.77	23.54	47.09
5%	12.00	24.00	48.00
6%	12.23	24.46	48.91
7%	12.46	24.91	49.83
8%	12.69	25.37	50.74
9%	12.91	25.83	51.66
10%	13.14	26.29	52.57

The typical value of R_{trim_down}

Trim down %	12V	24V	48V
	R_{trim_down} (K Ω)		
1%	10.63	21.26	42.51
2%	10.40	20.80	41.60
3%	10.17	20.34	40.69
4%	9.943	19.89	39.77
5%	9.714	19.43	38.86
6%	9.486	18.97	37.94
7%	9.257	18.51	37.03
8%	9.029	18.06	36.11
9%	8.800	17.60	35.20
10%	8.571	17.14	34.29
11%	8.343	16.69	33.37
12%	8.114	16.23	32.46
13%	7.886	15.77	31.54
14%	7.657	15.31	30.63
15%	7.429	14.86	29.71
16%	7.200	14.40	28.80
17%	6.971	13.94	27.89
18%	6.743	13.49	26.97
19%	6.514	13.03	26.06
20%	6.286	12.57	25.14
21%	6.057	12.11	24.23
22%	5.829	11.66	23.31
23%	5.600	11.20	22.40
24%	5.371	10.74	21.49
25%	5.143	10.29	20.57
26%	4.914	9.829	19.66
27%	4.686	9.371	18.74
28%	4.457	8.914	17.83
29%	4.229	8.457	16.91
30%	4.000	8.000	16.00
31%	3.771	7.543	15.09
32%	3.543	7.086	14.17
33%	3.314	6.629	13.26
34%	3.086	6.171	12.34
35%	2.857	5.714	11.43
36%	2.629	5.257	10.51
37%	2.400	4.800	9.600
38%	2.171	4.343	8.686
39%	1.943	3.886	7.771
40%	1.714	3.429	6.857

The output voltage can also be adjustment by using external DC voltage, This is shown:



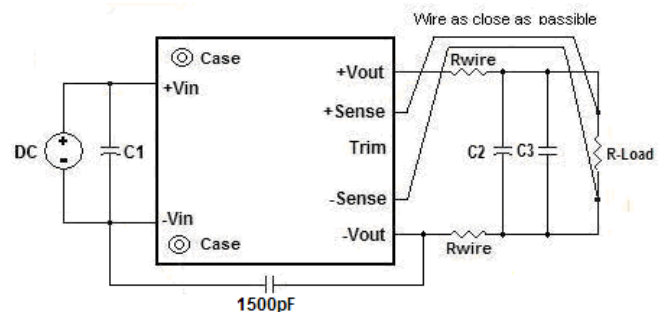
$$\text{Output Voltage} = \text{TRIM Terminal Voltage} * \text{Nominal Output Voltage}$$

6.11 Output Remote Sensing

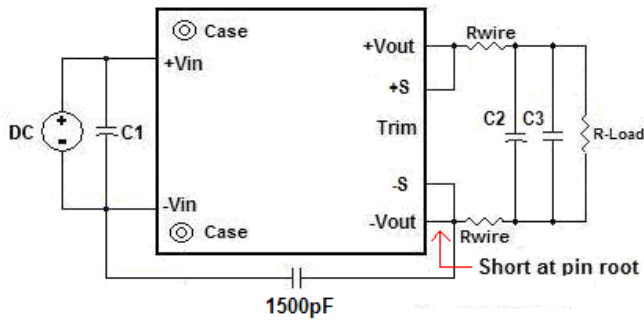
The CFDFG600-300 series converter has the capability to remotely sense both lines of its output. This feature moves the effective output voltage regulation point from the output of the unit to the point of connection of the remote sense pins. This feature automatically adjusts the real output voltage of the CFDFG600-300 series in order to compensate for voltage drops in distribution and maintain a regulated voltage at the point of load. The remote-sense voltage range is:

$$[(+V_{out}) - (-V_{out})] - [(+Sense) - (-Sense)] \leq 10\% \text{ of } V_{O_nominal}$$

When remote sense is in use, the sense should be connected by twisted-pair wire or shield wire. If the sensing patterns short, heavy current flows and the pattern may be damaged. Output voltage might become unstable because of impedance of wiring and load condition when length of wire is exceeding 400mm. This is shown in the schematic below.

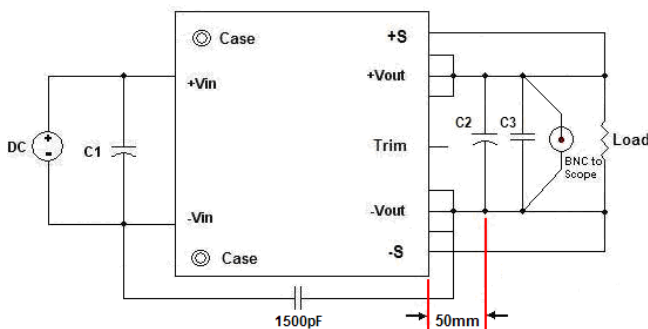


If the remote sense feature is not to be used, the sense pins should be connected locally. The +Sense pin should be connected to the +Vout pin at the module and the -Sense pin should be connected to the -Vout pin at the module. Wire between +Sense and +Vout and between -Sense and -Vout as short as possible. Loop wiring should be avoided. The converter might become unstable by noise coming from poor wiring. This is shown in the schematic below.



Note: Although the output voltage can be varied (increased or decreased) by both remote sense and trim, the maximum variation for the output voltage is the larger of the two values not the sum of the values. The output power delivered by the module is defined as the voltage at the output terminals multiplied by the output current. Using remote sense and trim can cause the output voltage to increase and consequently increase the power output of the module if output current remains unchanged. Always ensure that the output power of the module remains at or below the maximum rated power. Also be aware that if $V_{o.set}$ is below nominal value, $P_{out.max}$ will also decrease accordingly because $I_{o.max}$ is an absolute limit. Thus, $P_{out.max} = V_{o.set} \times I_{o.max}$ is also an absolute limit.

6.12 Output Ripple and Noise



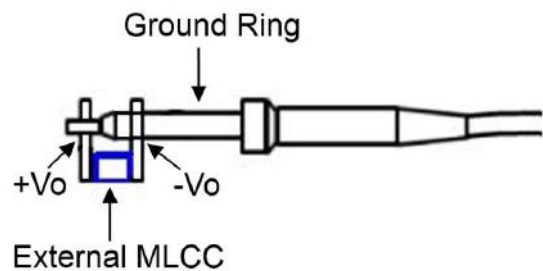
Output ripple and noise measured with 470uF aluminum and 1uF ceramic capacitor across output. A 20 MHz bandwidth oscilloscope is normally used for the measurement.

The conventional ground clip on an oscilloscope probe should never be used in this kind of measurement. This clip, when placed in a field of radiated high frequency energy, acts as an antenna or inductive pickup loop,

creating an extraneous voltage that is not part of the output noise of the converter.



Another method is shown in below, in case of coaxial-cable/BNC is not available. The noise pickup is eliminated by pressing scope probe ground ring directly against the -Vout terminal while the tip contacts the +Vout terminal. This makes the shortest possible connection across the output terminals.

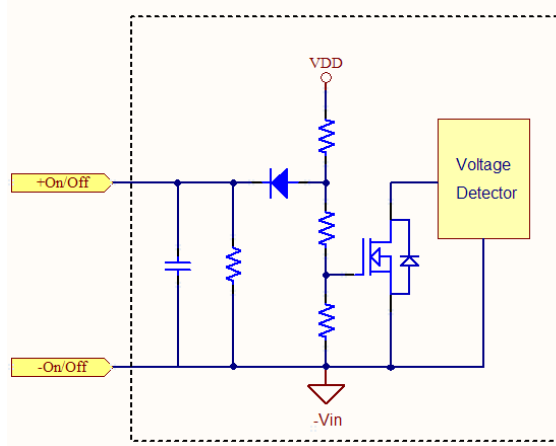


6.13 Output Capacitance

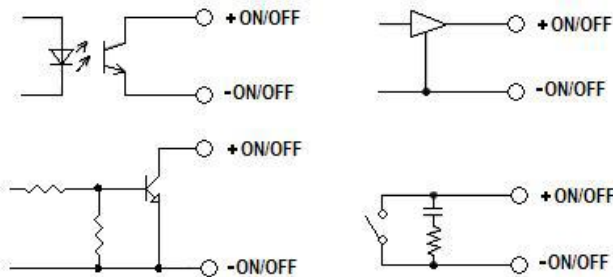
The CFDFG600-300S series converters provide unconditional stability with or without external capacitors. For good transient response, low ESR output capacitors should be located close to the point of load (<100mm). PCB design emphasizes low resistance and inductance tracks in consideration of high current applications. Output capacitors with their associated ESR values have an impact on loop stability and bandwidth. Chewins's converters are designed to work with load capacitance to see technical specifications.

6.14 Remote On/Off Circuit

The converter remote On/Off circuit built-in on input side. The ground pin of input side remote On/Off circuit is -Vin pin. Refer to 5.5 for more details. Connection examples see below.



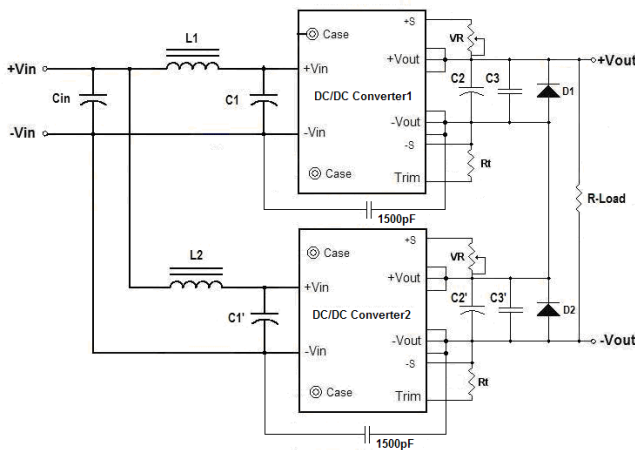
External connection examples see below.



Remote On/Off Connection Example

6.15 Series Operation

Series operation is possible by connecting the outputs two or more units. Connection is shown in below. The output current in series connection should be lower than the lowest rate current in each power module.



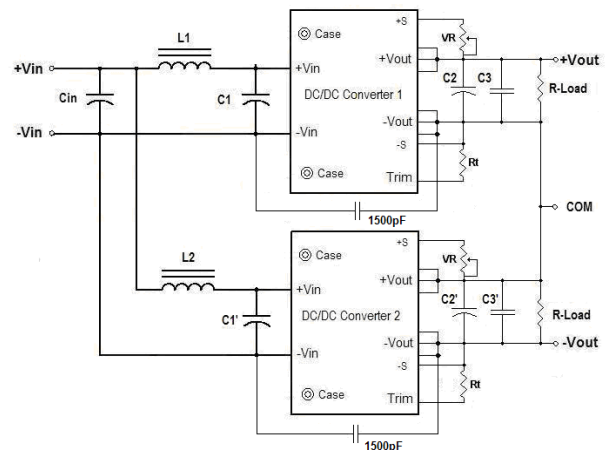
Simple Series Operation Connect Circuit

- L1,L2:1.0uH
- Cin,C1,C1': 330uF/450V ESR<0.7Ω
- C2,C2':470uF
- C3,C3':1uF MLCC

Note:

- 1.If the impedance of input line is high,Cin,C1 capacitance must be more than above.Use more than two recommended capacitor above in parallel when ambient temperature becomes lower than -20℃
2. Recommend Schottky diode (D1,D2) be connected across the output of each series connected converter, so that if one converter shuts down for any reason, then the output stage won't be thermally overstressed. Without this external diode,the output stage of the shut-down converter could carry the load current provided by the other series converters,with its MOSFETs conducting through the body diodes.The MOSFETs could then be overstressed and fail.The external diode should be capable of handling the full load current for as long as the application is expected to run with any unit shut down.

Series for ±output operation is possible by connecting the outputs two units, as shown in the schematic below.



Simple ±Output Operation Connect Circuit

- L1, L2:1.0uH
- Cin,C1,C1': 330uF/450V ESR<0.7Ω
- C2,C2':470uF
- C3,C3':1uF MLCC

Note:

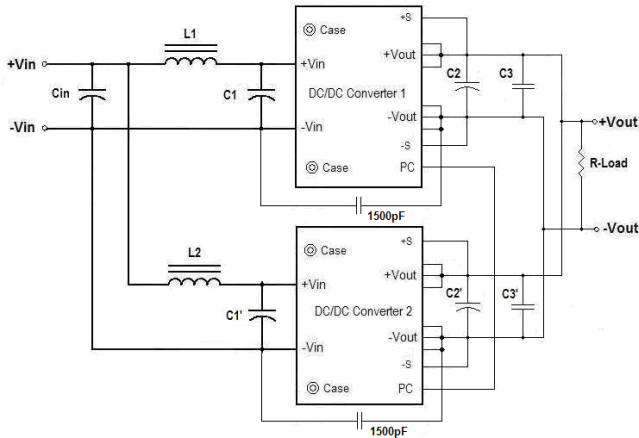
If the impedance of input line is high,Cin,C1 capacitance must be more than above.Use more than two recommended capacitor above in parallel when ambient temperature becomes lower than -20℃

6.16 Parallel/Redundant Operation

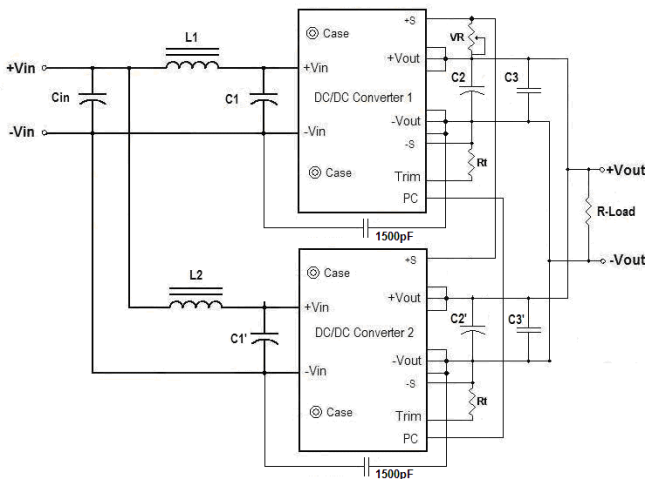
The CFDFG600-300 series are also designed for parallel operation. When paralleled, the load current can be equally shared between the modules by connecting the PC pins together.

There are two different parallel operations for CFDFG600-300S series, one is parallel operation when load can't be supplied by only one power unit; the other is the N+1 redundant operation which is high reliable for load of N units by using N+1 units.

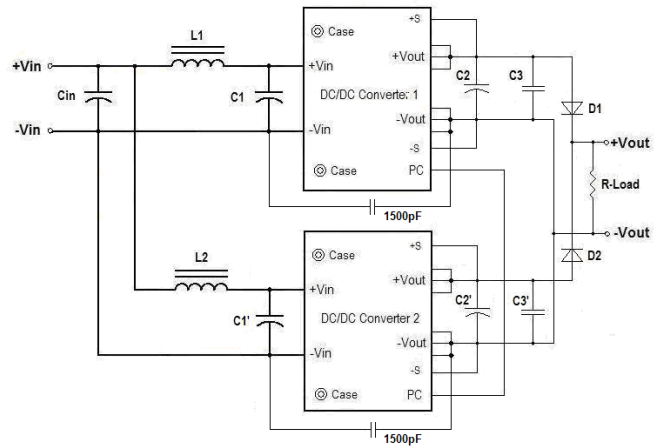
(a) parallel operation



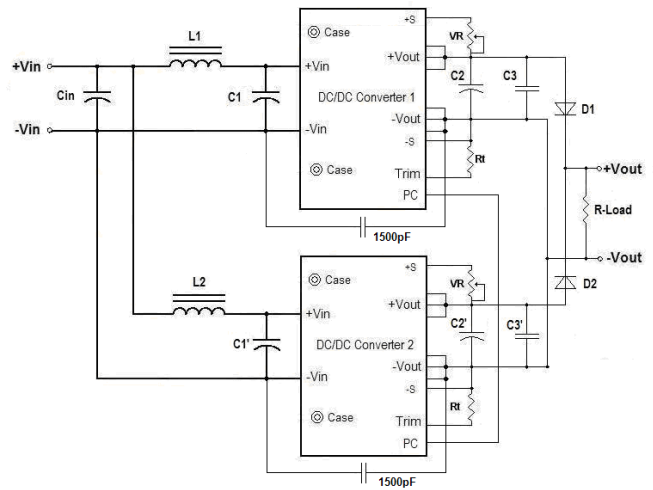
(b) Parallel operation with programmed and adjustable output



(c) N+1 redundant connection



(d) N+1 redundant connection with programmed output and adjustable output voltage



L1,L2:1.0uH

Cin,C1,C1':330uF/450V ESR<0.7Ω

C2,C2':470uF

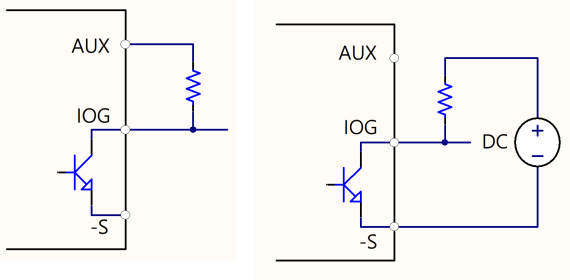
C3,C3':1uF MLCC

Note:

If the impedance of input line is high, Cin, C1 capacitance must be more than above. Use more than two recommended capacitor above in parallel when ambient temperature becomes lower than -20 °C

6.17 IOG Signal

Normal and abnormal operation of the converter can be monitored by using the I.O.G signal. Output of this signal monitor is located at the secondary side and is open collector output, you can use the signal by the internal aux power supply or the external DC supply as the following figures. The ground reference is the - Sense.



By internal AUX

By external DC supply

This signal is low when the converter is normally operating and HIGH when the converter is disabled or when the converter is abnormally operating.

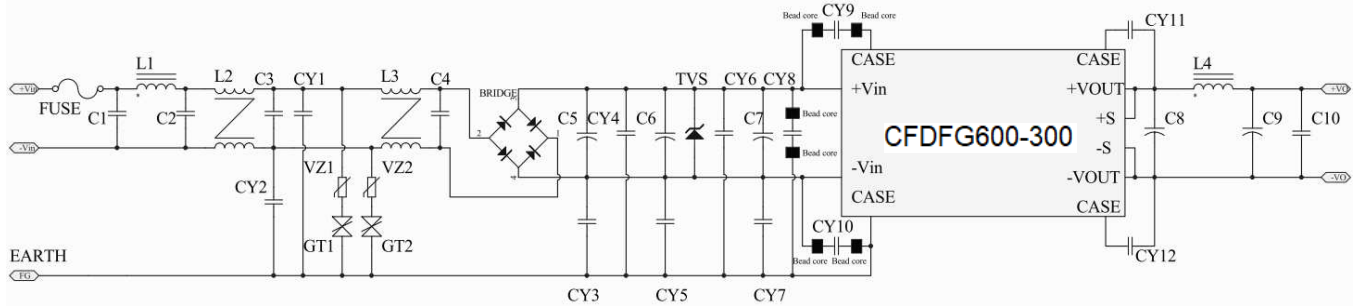
6.18 Auxiliary Power for Output Signal

The auxiliary power supply output is within 7-13V with maximum current of 20 mA. Ground reference is the – sense Pin.

7. Safety/EMC

7.1 Input Fusing and Safety Considerations

The CFDFG600-300S series converters have no internal fuse. In order to achieve maximum safety and system protection, always use an input line fuse. We recommended a 6.3A time delay fuse for all models. It is recommended that the circuit have a transient voltage suppressor diode (TVS) across the input terminal to protect the unit against surge or spike voltage and input reverse voltage (as shown).



The external circuit is required if CFDFG600-300S series has to meet EN61000-4-4, EN61000-4-5.

The CFDFG600-300SXX recommended components are shown below.

C5, C6, C7: 330uF/450V aluminum capacitor (Nippon Chemi-Con KMR series).

VZ1, VZ2: TVR10471KSV TKS

GT1, GT2: B5G3000 BENCENT

7.2 AC Input EMC Considerations

EMI Test standard: EN55022/EN55032 Class A Conducted Emission

Test Condition: Input Voltage: Nominal, Output Load: Full Load

(1) EMI and conducted noise meet EN55032 Class A:

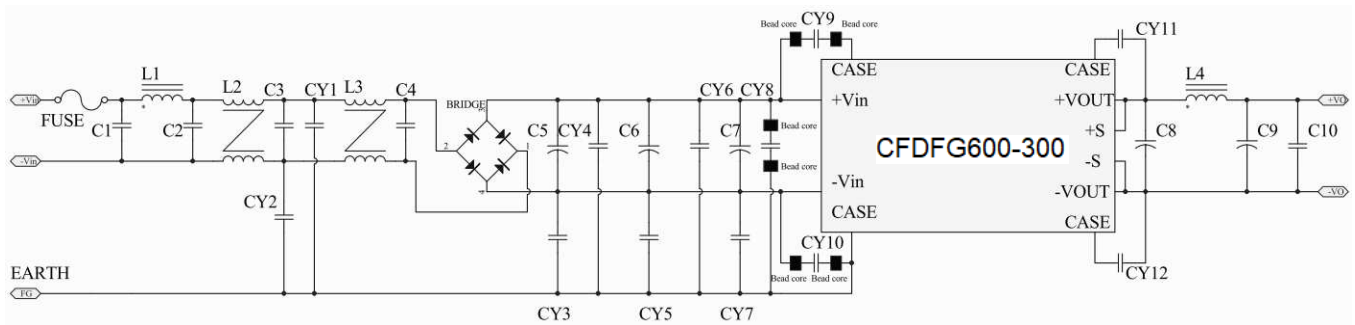


Figure1 Connection circuit for conducted EMI Class A testing

(2) EMI and conducted noise meet EN55032 Class A specifications:

	Model Number		
	CFDFG600-300S12	CFDFG600-300S24	CFDFG600-300S48
C1	0.68uF		
C2			
C3			
C4			
C5	330uF		
C6			
C7			
C8	820uF		
C9			
C10	1uF		
CY1	2200pF		
CY2			
CY5	330pF		
CY6	100pF		
CY7	220pF		
CY8	100pF		
CY9	2200pF		
CY10			
CY11	0.022uF		
CY12			
C8	820uF		
C9	820uF		
L1	SHORT		
L2	4.2mH		
L3	4.2Mh		
L4	SHORT		
Bead Core	CY8, CY9, CY10		

Note:

C1,C2,C3,C4:metallized polypropylene film X2 capacitors,C5,C6,C7,C8,C9:aluminum capacitors,CY1, CY2,CY5,CY6,CY8,CY9,CY10,C10 ceramic capacitors,CY11,CY12:X2 capacitors

C1,C2,C3,C4:0.68uF/305VAC(FARATRONIC MKP62 Series C42Q2684M6HC000) or equivalent.

C5,C6,C7:330uF/450V (NIPPON CHEMI-CON KMR Series EKMR45 1VSN331MR35S) or equivalent.

C8, C9: 820uF/63V (Rubycon ZLH Series 63ZLH820MEFC16X25) or equivalent.

CY1,CY2,CY5,CY6,CY7,CY8,CY9,CY10:

100pF (CD Series TDK) or equivalent.

220pF (CD Series TDK) or equivalent.

330pF (CD Series TDK) or equivalent.

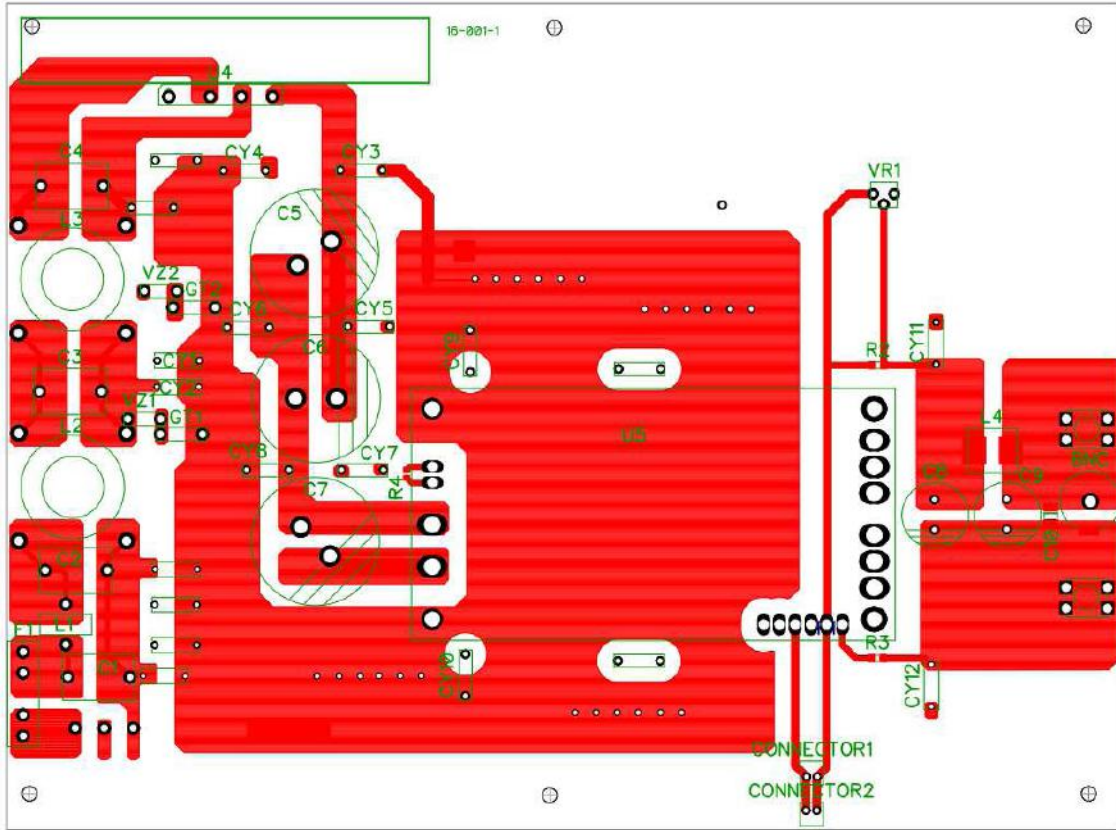
2200pF (CD Series TDK) or equivalent.

C10:1uF/100V(TDK CGA Series CGA8N2X7R2A105K230KA) or equivalent.

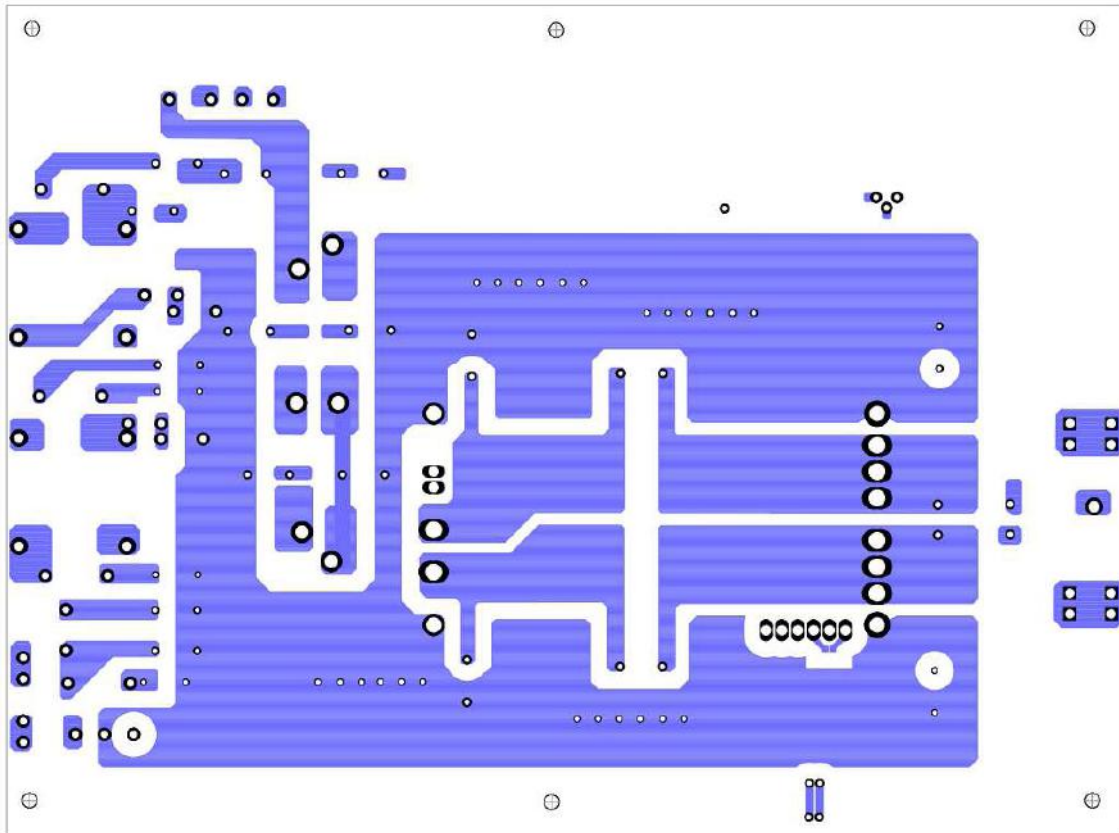
CY11,CY12:0.022uF/275VAC MPX Series CARLI or equivalent.

L2,L3:4.2mH (VAKOS T25*15*13 R8K Series φ0.8mm/20T) or equivalent.

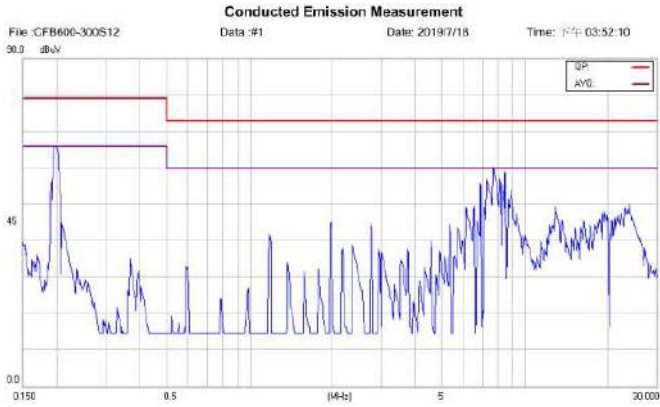
Bead Core: BRI 4*1.5*2 CHILISIN FOR CY8, BRH3.5*3.2*1.2mm CHILISIN for CY9,CY10



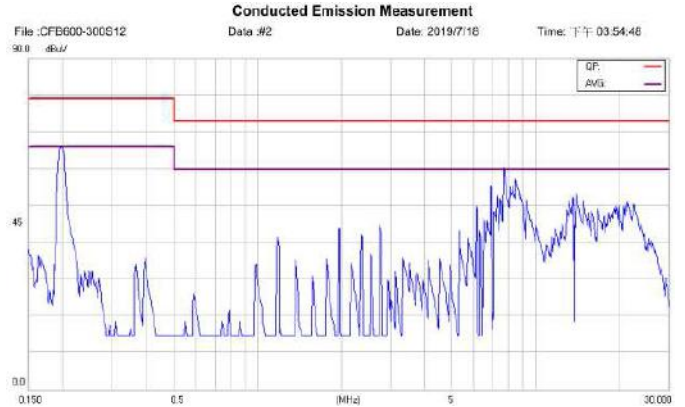
EMI test board top side



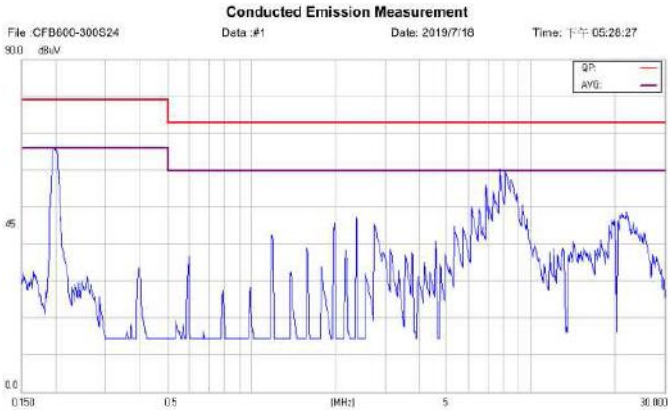
EMI test board bottom side



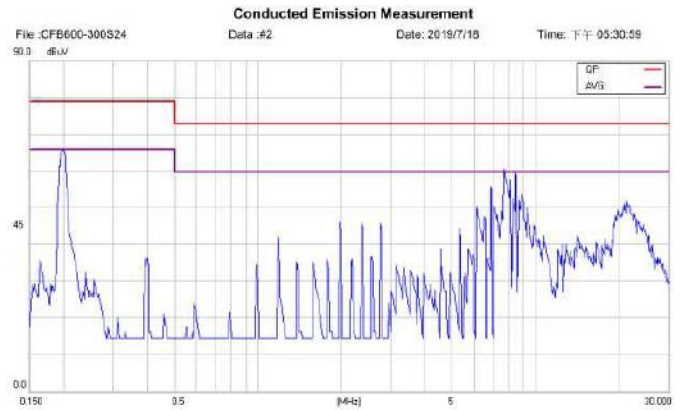
LINE Conducted Class A of CFDFG600-300S12



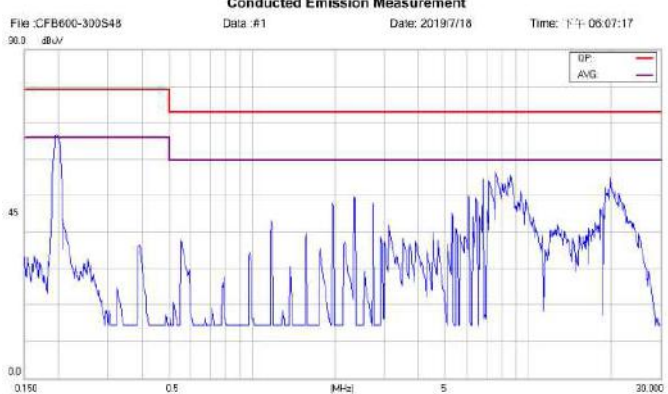
NATURE Conducted Class A of CFDFG600-300S12



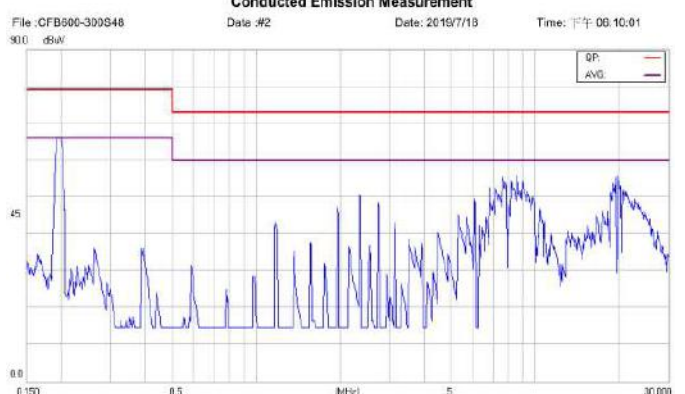
LINE Conducted Class A of CFDFG600-300S24



NATURE Conducted Class A of CFDFG600-300S24



LINE Conducted Class A of CFDFG600-300S48



NATURE Conducted Class A of CFDFG600-300S48

7.3 DC Input EMC Considerations

EMI Test standard: EN55022/EN55032 Class A Conducted Emission

Test Condition: Input Voltage: Nominal, Output Load: Full Load

(1) EMI and conducted noise meet EN55032 Class A:

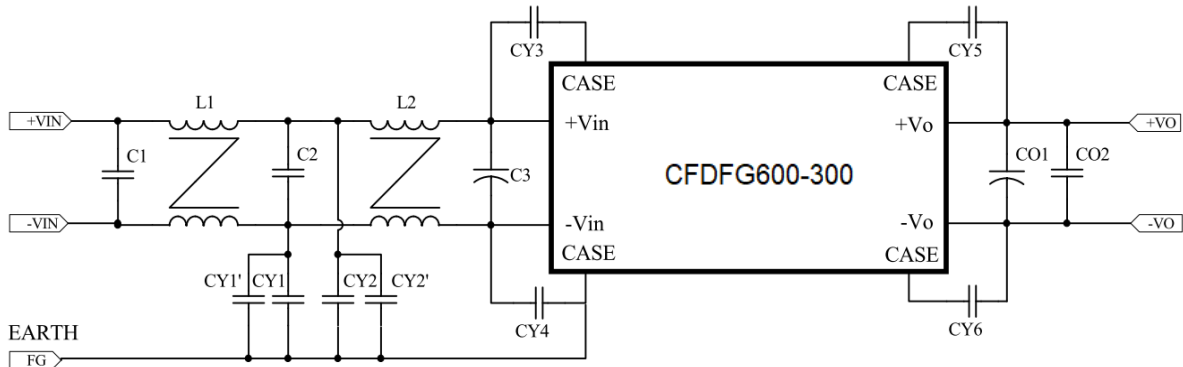


Figure2 Connection circuit for conducted EMI Class A testing

(2) EMI and conducted noise meet EN55032 Class A specifications:

	Model Number		
	CFDFG600-300S12	CFDFG600-300S24	CFDFG600-300S48
C1	0.68uF		
C2	0.68uF		
C3	150uF		
Co1	820uF		
Co2	1uF		
CY1	2200pF		
CY1'	470pF		
CY2	2200pF		
CY2'	470pF		
CY3	2200pF		
CY4	2200pF		
CY5	0.022uF		
CY6	0.022uF		
L1	4.2mH		
L2	4.2mH		

Note:

C1,C2,CY5,CY6:metallized polypropylene film X2 capacitors,C3,Co1:aluminum capacitors,CY1,CY1',

CY2,CY2',CY3,CY4,Co2:ceramic capacitors

C3:150uF/450V (NIPPON CHEMI-CON KXG Series EKXG451ELL151M M45S) or equivalent.

Co1:820uF/63V (Rubycon ZLH Series 63ZLH820MEFC16X25) or equivalent.

CY1,CY1',CY2,CY2',CY3,CY4:

2200pF CD Series TDK or equivalent.

470pF CD Series TDK or equivalent.

Co2:1uF/100V (TDK CGA Series CGA8N2X7R2A105K230KA) or equivalent.

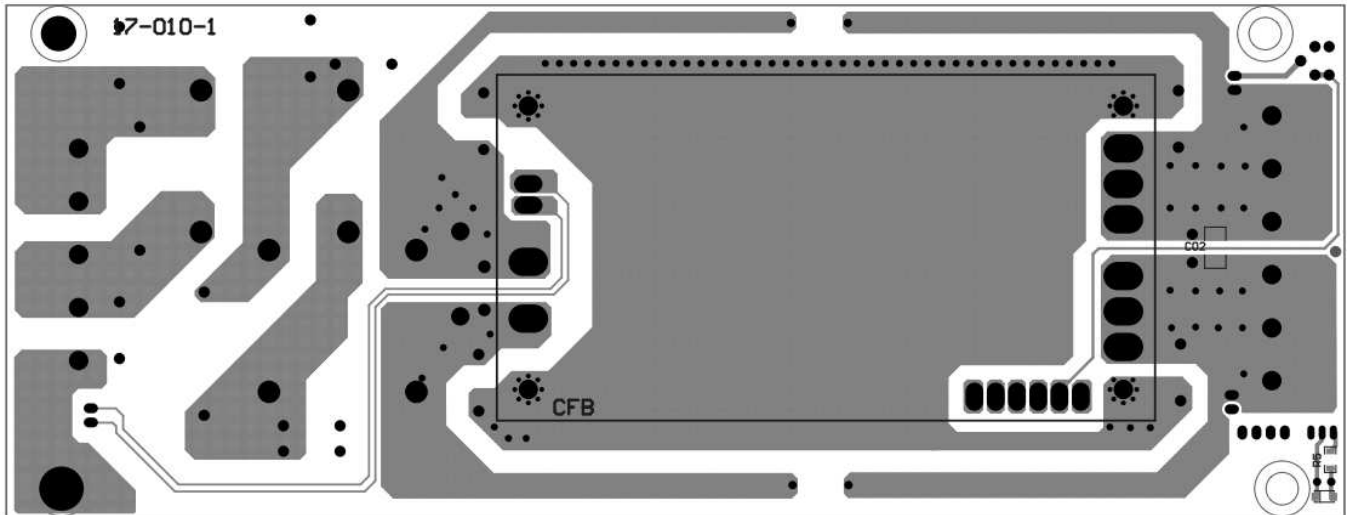
C1,C2,CY5,CY6:

0.68uF/305VAC MKP Series HJC or equivalent.

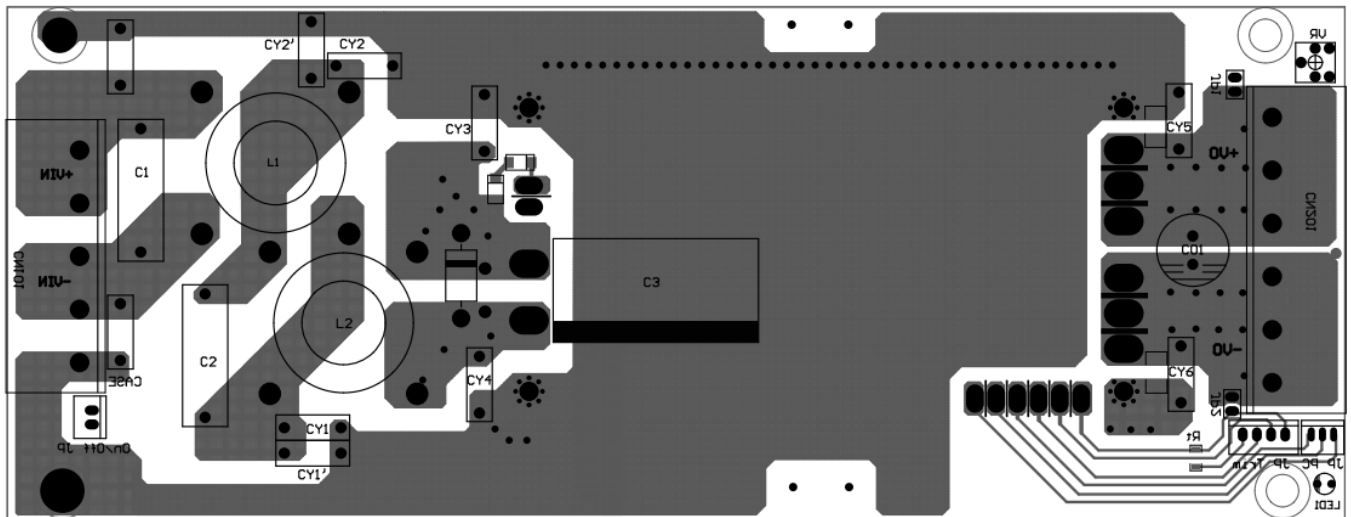
0.022uF/275VAC MPX Series CARLI or equivalent.

L1,L2:

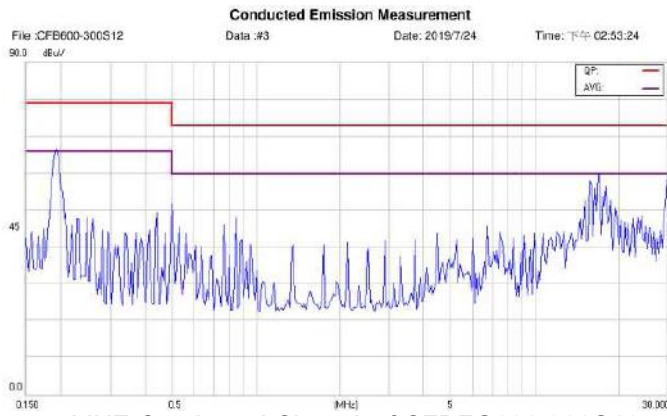
4.2mH (VAKOS T25*15*13 R8K Series ϕ 0.8mm/20T) or equivalent.



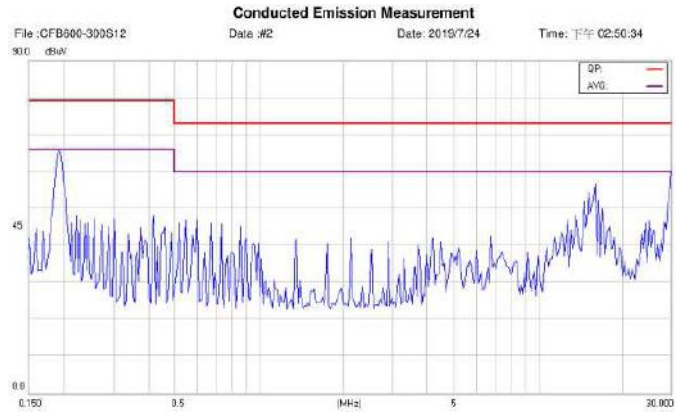
EMI test board top side



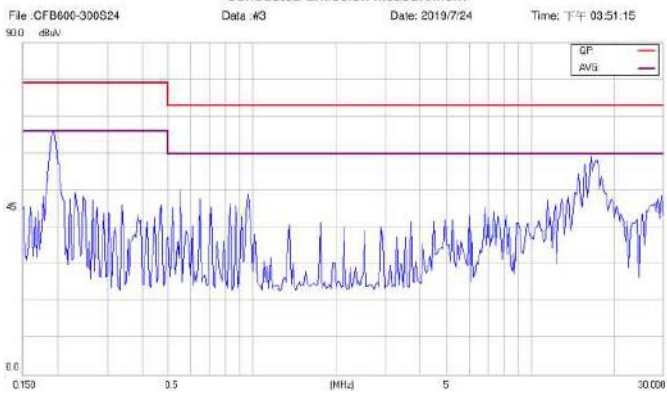
EMI test board bottom side



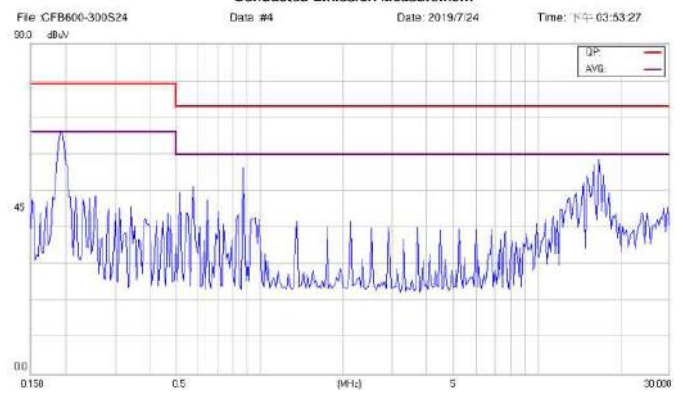
LINE Conducted Class A of CFDFG600-300S12



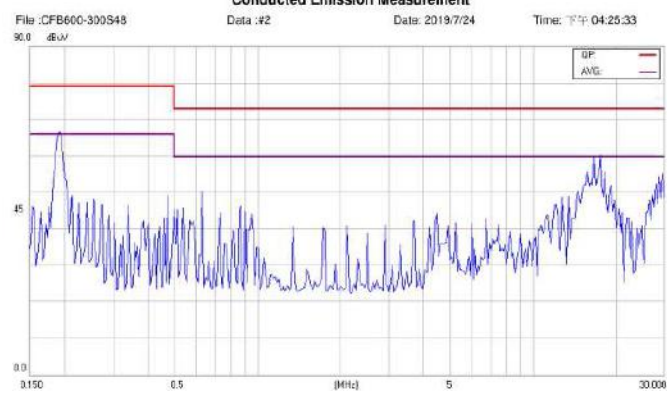
NATURE Conducted Class A of CFDFG600-300S12



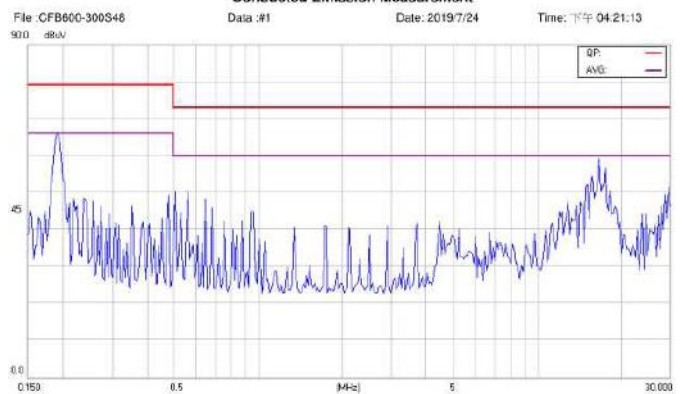
LINE Conducted Class A of CFDFG600-300S24



NATURE Conducted Class A of CFDFG600-300S24



LINE Conducted Class A of CFDFG600-300S48



NATURE Conducted Class A of CFDFG600-300S48

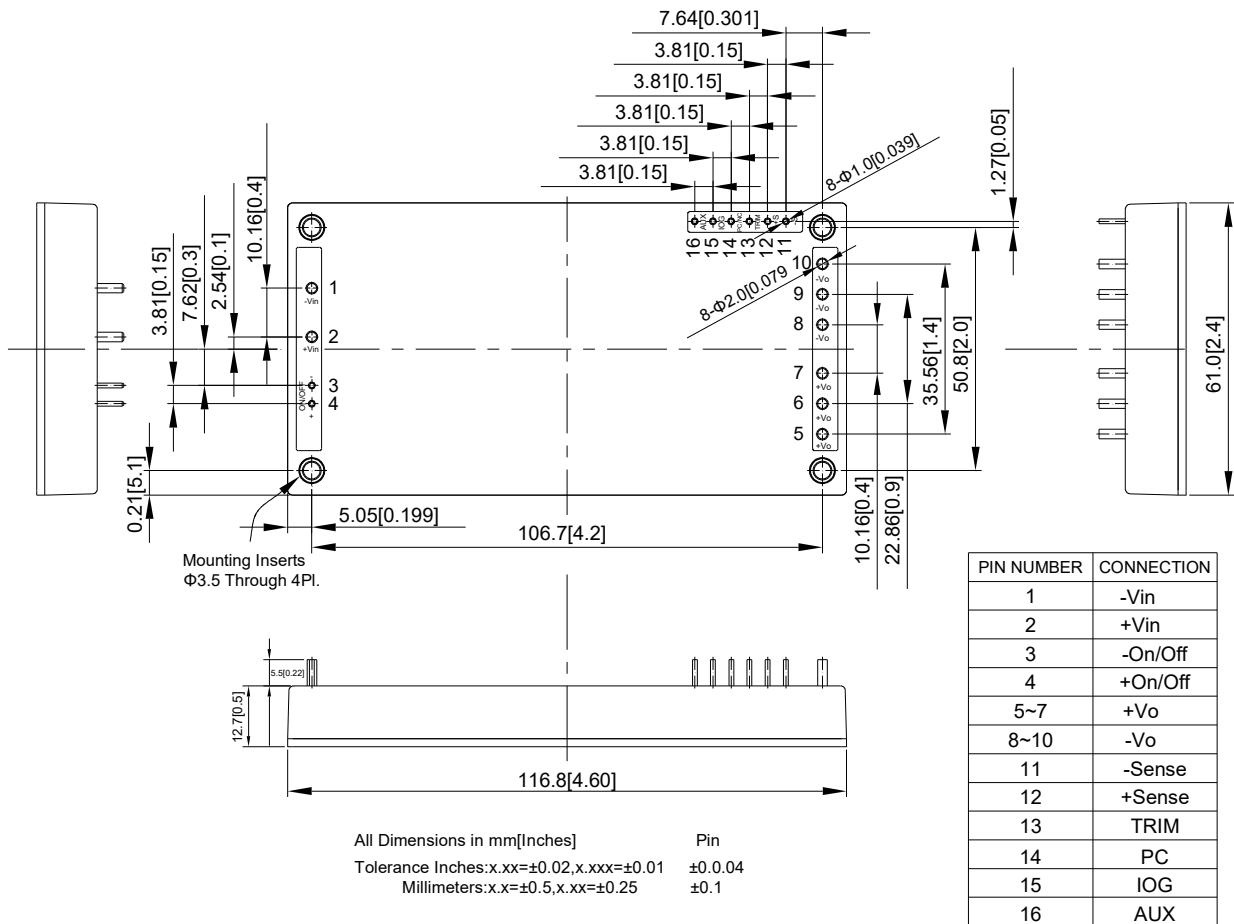
8. Part Number

Format: CFDFG600-300S12/24/48

Parameter	Series	Nominal Input Voltage	Number of Outputs	Output Voltage	Remote On/Off Logic
Symbol	CFDFG600	II	O	XX	L
Value	CFDFG600	300:300Volts	S:Single	12:12Volts 24:24Volts 48:48Volts	None:Positive N:Negative

9. Mechanical Specifications

9.1 Mechanical Outline Diagrams



CFDFG600-300 Mechanical Outline Diagram



CHEWINS Beijing Science & Technology Co.,Ltd.

Address: No.25, torch South Street, Zhuozhou Development Zone, Hebei Province, people's Republic of China
 Tel: 86-10-68817997 Mobile phone: 15901068673 E-mail: sales@chewins.net www.chewins.net